

RINT COMPANY

**FOR THE FINEST AND MOST
BEAUTIFUL ELECTRIC FIREPLACES**



**LET US INSPIRE YOU
TO BUILD YOUR OWN AMBIANCE**

DEALER BROCHURE

Version 2025-01 EN

RINT Company Sales NL B.V.
Praag 7B
1724BE Oudkarspel
The Netherlands

T: +31 (0)85 1309 254
E: info@rintco.nl

Nothing from this publication may be copied, reproduced and/or published by means of printing, photocopying or whatsoever means, without the prior written approval of the board of directors of Rint Company Sales NL B.V.

Specifications and accessories are based on the information available at the time of printing and can be subject to change without notice

INDEX

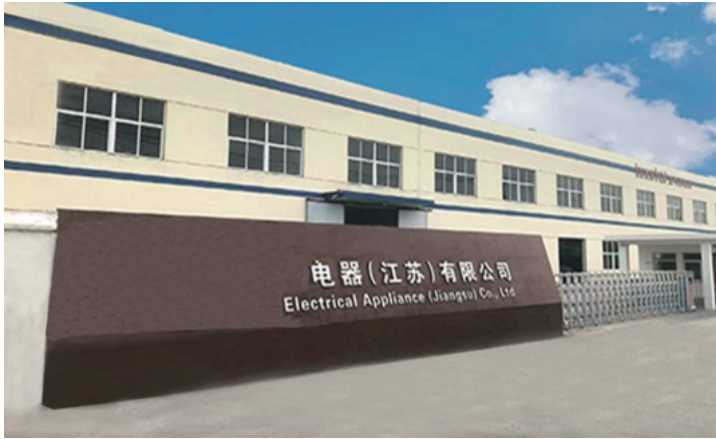
Content	Page
Our factory	5
What we stand for	5
Benefits of our electric fireplaces	6
Flame images and systems	7
Overview features	9
Features BI-series	10
Features BIZ-series	12
Features EFT-series	16
Features TS-series	18
Features TSZ-series	20
Features EFV-series	24
Features EFV bespoke insert-series	26
Features EFV free standing-series	28
Features EFV specials-series	30
Features WD-series	32
Features WD-special-series	34

OUR FACTORY

Our factory: specializes in the production of electric fireplaces such as: Wall-mounted fireplaces, built-in fireplaces, electrical stoves, insert fireplaces, 3D-fireplaces, LCD-screen fireplaces and so on.

All our products comply with CSA, GS, CE, EMC, LVD, RoHs, Reach and other international standards. We export to USA, Canada, Germany, Italy, UK, The Netherlands, Japan, Australia and other countries.

Our factory: is located in Jiangsu Province and covers a space of 15.000m² and housing 5 modern production lines with an annual capacity of 150.000 pieces of electrical fireplaces. We do our own product development and beside our “standard” range of products our staff of experienced designers, technicians and sales persons are ready to meet your special requirements in the field of electric fireplaces.



WHAT WE STAND FOR

Customers: Every day, we try to give our customers the best service possible. Their success is our motivation.

Quality: We believe that quality is the key to success and lies at the foundation of sustainable and profitable relationships.

Evolution: In everything we do, we want to improve the existing. We believe in thinking outside the box. Our people have the knowledge and motivation to develop beautiful products and concepts that are important to our partners.

Ecological footprint: We care about the environment. By frugal energy use, the reuse of materials and the use of environmentally conscious packaging, we try to reduce our ecological footprint as much as possible.

OUR ELECTRIC FIREPLACES

With their unique, lively flames, our electric fireplaces are ideal atmosphere creators and good replacements for an open fireplace or gas fireplace.

Our electric fireplaces fit perfectly in the present European-wide energy transition, fully electric and no use of gas or wooden logs.

The advantages of our electric fireplaces are many, no matter for which system you decide:

- Easy installation
- Suitable for any interior
- No flue required
- Very realistic flame image
- No nasty odours
- Safe
- No use of gas
- No dragging of logs
- No harmful substances are released when used, so also suitable for asthma patients
- Fits perfectly in the present energy transition
- Durable
- Low maintenance
- Easy to operate
- State of art technology
- Superb quality
- 2 Year warranty



FLAME IMAGES AND SYSTEMS

LED fireplaces (BI, BIZ, EFT, TS and TSZ series)



Innovative, energy-efficient LED technology:

Enjoy brightness without compromise. Our electric fireplaces use the latest LED technology to create a lively flame image. The unique, non-reflective flame display panel makes objects in the background significantly less visible. This creates a better and brighter flame image, which enhances the illusion of a real fireplace.

The fireplaces can also be used for pleasant (additional) heating, room size up to 38m².

Complete control is at your fingertips. Operate your fireplace effortlessly with the supplied remote control or the handy touch panel directly on the fireplace or the app and or voice-control (not all models, see product overview).

Xview fireplaces (EFV series)



Our latest line of electric fireplaces.

Equipped with the most advanced Xview-HD technology for a lifelike flame image.

Look at the sparks jumping of the logs, listen to the natural crackle of burning firewood and you will immediately feel like you are looking at a real fireplace.

Naturally, these fireplaces are equipped with app- and some even with voice control for optimal ease of use.

In addition to the standard dimensions, lengths up to 200cm, customization is also available up to a length of 360cm.

Mist fireplaces (WD-series)



Our mist fireplaces are electric fireplaces with a very lively flame image that is almost indistinguishable from the real thing. Because rising water vapor is illuminated by amber-coloured lamps, you get the feeling of real flames. Fireplaces with water vapor immediately bring atmosphere and cosiness to any room. The standard mist fireplaces are available from 66 cm to no less than 200 cm wide. In addition to the standard dimensions, customization is also available up to a length of 6 meters!

These fireplaces have no heating.

Operate your fireplace effortlessly with the supplied remote control or the handy touch panel directly on the fireplace.



FIREPLACE RC02-WDSH01

OVERVIEW FEATURES

FEATURE	BI	BIZ	EFT	TS	TSZ	EFV	WD
Wall mounted/Built In	√	√		√	√	√	
Built in, Horizontal use							√
Built in, Mantel use	√	√	√	√	√	√	
(Black) tempered glass panel	√	√		√	√	√	
Non-reflecting flame effect screen	√	√	√	√	√		
GT-Xview video & HD-LCD technology screen						√	
2 Heat settings	√	√	√	√	√	√	
Flame effect With & Without heat	√	√	√	√	√	√	
Only flame effect							√
Manual control	√	√	√	√	√	√	√
Remote control	√	√	√	√	√	√	√
App control		√			√	√	
Wifi & voice control by Alexa & Google Home		√			√	√*	
Adjustable flame brightness			√		√	√	
5 Levels of brightness adjustment			√		√		
Adjustable flame height							√
Adjustable temperature (Thermostat)	√	√		√	√	√	
Overheating protection	√	√	√	√	√	√	√
1-9 Hours Timer	√	√	√	√	√	√*	
All LED technology	√	√	√	√	√		
3 Flame colours (orange, blue, mix of orange & purple)	√			√			
3 Top light colours (orange, blue, purple)	√	√	√	√	√		
13 Flame colours		√			√		
13 Fuel bed colours		√			√		
Unique realistic flame effect						√	
IP33, suitable for roofed outdoor use	√					√**	√
With wood burning sound effect		√	√		√	√	√
Including crystals and logs	√	√		√	√		
Log bed included						√	

√* : Not with the EFV Bespoke, Free-standing and Special series

√** : Only RC02-EFV-FS series are IP33

FEATURES BI-SERIES

Product features RC02-BI42 :

Dimensions	: 111,8x14,9x45cm (LxDxH)
Recessed dim.	: 108,0x16,0x42,0cm (LxDxH)
Consumption	: 20W
Voltage	: 220 – 240V, 50Hz
Heating	: 2 heat settings 750 and 1.500W
Flame colours	: 3 colours: orange, blue and purple
Top light	: 3 colours: orange, blue and purple
Flame panel	: No mirror used for a more realistic flame image
Lighting	: LED-technology
Control	: On fireplace with touch panel and remote control (included)
Timer	: 1 – 9 hours
Maintenance	: Maintenance free
Glass	: Equipped with tempered glass
Material	: Housing made of steel
Decoration	: Transparent acrylic stones and wood logs
Safety	: Equipped with thermal protection to prevent overheating
Approval	: CE
IP rating	: 33 (splash proof)
Net weight	: 20kg
Packing	: 123x24x55cm (LxDxH)
Gross weight	: 24kg

Product features RC02-BI60:

Dimensions	: 158,1x14,9x45cm (LxDxH)
Recessed dim.	: 155,0x16,0x42,0cm (LxDxH)
Consumption	: 20W
Voltage	: 220 – 240V, 50Hz
Heating	: 2 heat settings 750 and 1.500W
Flame colours	: 3 colours: orange, blue and purple
Top light	: 3 colours: orange, blue and purple
Flame panel	: No mirror used for a more realistic flame image
Lighting	: LED-technology
Control	: On fireplace with touch panel and remote control (included)
Timer	: 1 – 9 hours
Maintenance	: Maintenance free
Glass	: Equipped with tempered glass
Material	: Housing made of steel
Decoration	: Transparent acrylic stones and wood logs
Safety	: Equipped with thermal protection to prevent overheating
Approval	: CE
IP rating	: 33 (splash proof)
Net weight	: 27kg
Packing	: 165x24x55cm (LxDxH)
Gross weight	: 36kg

Product features RC02-BI50:

Dimensions	: 132,8x14,9x45cm (LxDxH)
Recessed dim.	: 129,0x16,0x42,0cm (LxDxH)
Consumption	: 20W
Voltage	: 220 – 240V, 50Hz
Heating	: 2 heat settings 750 and 1.500W
Flame colours	: 3 colours: orange, blue and purple
Top light	: 3 colours: orange, blue and purple
Flame panel	: No mirror used for a more realistic flame image
Lighting	: LED-technology
Control	: On fireplace with touch panel and remote control (included)
Timer	: 1 – 9 hours
Maintenance	: Maintenance free
Glass	: Equipped with tempered glass
Material	: Housing made of steel
Decoration	: Transparent acrylic stones and wood logs
Safety	: Equipped with thermal protection to prevent overheating
Approval	: CE
IP rating	: 33 (splash proof)
Net weight	: 24kg
Packing	: 143x24x55cm (LxDxH)
Gross weight	: 28kg

Product feature RC02-BI74

Dimensions	: 194,2x14,9x45cm (LxDxH)
Recessed dim.	: 191,0x16,0x42,0cm (LxDxH)
Consumption	: 20W
Voltage	: 220 – 240V, 50Hz
Heating	: 2 heat settings 750 and 1.500W
Flame colours	: 3 colours: orange, blue and purple
Top light	: 3 colours: orange, blue and purple
Flame panel	: No mirror used for a more realistic flame image
Lighting	: LED-technology
Control	: On fireplace with touch panel and remote control (included)
Timer	: 1 – 9 hours
Maintenance	: Maintenance free
Glass	: Equipped with tempered glass
Material	: Housing made of steel
Decoration	: Transparent acrylic stones and wood logs
Safety	: Equipped with thermal protection to prevent overheating
Approval	: CE
IP rating	: 33 (splash proof)
Net weight	: 34kg
Packing	: 206x24x55cm (LxDxH)
Gross weight	: 46kg

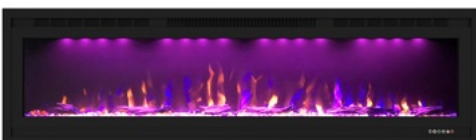
BI-SERIES



FIREPLACE RC02-BI40



FIREPLACE RC02-BI50



**3 Colours of flame- and top light
(orange, blue, purple)**

FEATURES BIZ-SERIES (1)

Product features RC02-BI36Z :

Dimensions	: 91,5x16,0x42,8cm (LxDxH)
Recessed dim.	: 88,6x17,0x41,0cm (LxDxH)
Consumption	: 20W
Voltage	: 220 – 240V, 50Hz
Heating	: 2 heat settings 750 and 1.500W
Flame- and fuel bed colours	: 13 colours
Top light	: 3 colours (orange, blue, purple)
Flame panel	: No mirror used for a more realistic flame image
Lighting	: LED-technology
Control	: On fireplace with touch panel and remote control (included) App and Voice-control (Alexa & Google)
Timer	: 1 – 9 hours
Maintenance	: Maintenance free
Glass	: Equipped with tempered glass
Material	: Housing made of steel
Decoration	: Acrylic stones and wood logs
Audio	: With wood burning sound effect
Safety	: Equipped with thermal protection to prevent overheating
Approval	: CE
Net weight	: 18,5kg
Packing	: 101x25x59cm (LxDxH)
Gross weight	: 23,5kg

Product features RC02-BI50Z :

Dimensions	: 127,0x16,0x42,8cm (LxDxH)
Recessed dim.	: 124,1x17,0x41,0cm (LxDxH)
Consumption	: 20W
Voltage	: 220 – 240V, 50Hz
Heating	: 2 heat settings 750 and 1.500W
Flame- and fuel bed colours	: 13 colours
Top light	: 3 colours (orange, blue, purple)
Flame panel	: No mirror used for a more realistic flame image
Lighting	: LED-technology
Control	: On fireplace with touch panel and remote control (included) App and Voice-control (Alexa & Google)
Timer	: 1 – 9 hours
Maintenance	: Maintenance free
Glass	: Equipped with tempered glass
Material	: Housing made of steel
Decoration	: Acrylic stones and wood logs
Audio	: With wood burning sound effect
Safety	: Equipped with thermal protection to prevent overheating
Approval	: CE
Net weight	: 24,8kg
Packing	: 137x25x59 (LxDxH)
Gross weight	: 31,2kg

Product features RC02-BI42Z :

Dimensions	: 106,7x16,0x42,8cm (LxDxH)
Recessed dim.	: 103,8x17,0x41,0cm (LxDxH)
Consumption	: 20W
Voltage	: 220 – 240V, 50Hz
Heating	: 2 heat settings 750 and 1.500W
Flame- and fuel bed colours	: 13 colours
Top light	: 3 colours (orange, blue, purple)
Flame panel	: No mirror used for a more realistic flame image
Lighting	: LED-technology
Control	: On fireplace with touch panel and remote control (included) App and Voice-control (Alexa & Google)
Timer	: 1 – 9 hours
Maintenance	: Maintenance free
Glass	: Equipped with tempered glass
Material	: Housing made of steel
Decoration	: Acrylic stones and wood logs
Audio	: With wood burning sound effect
Safety	: Equipped with thermal protection to prevent overheating
Approval	: CE
Net weight	: 21,6kg
Packing	: 116x25x59cm (LxDxH)
Gross weight	: 27,2kg

Product features RC02-BI60Z :

Dimensions	: 152,4x16,0x42,8cm (LxDxH)
Recessed dim.	: 149,5x17,0x41,0cm (LxDxH)
Consumption	: 20W
Voltage	: 220 – 240V, 50Hz
Heating	: 2 heat settings 750 and 1.500W
Flame- and fuel bed colours	: 13 colours
Top light	: 3 colours (orange, blue, purple)
Flame panel	: No mirror used for a more realistic flame image
Lighting	: LED-technology
Control	: On fireplace with touch panel and remote control (included) App and Voice-control (Alexa & Google)
Timer	: 1 – 9 hours
Maintenance	: Maintenance free
Glass	: Equipped with tempered glass
Material	: Housing made of steel
Decoration	: Acrylic stones and wood logs
Audio	: With wood burning sound effect
Safety	: Equipped with thermal protection to prevent overheating
Approval	: CE
Net weight	: 25,7kg
Packing	: 163x25x59cm (LxDxH)
Gross weight	: 33,8kg

BIZ-SERIES



FIREPLACE RC02-BI50Z

FEATURES BIZ-SERIES (2)

Product features RC02-BI74Z :

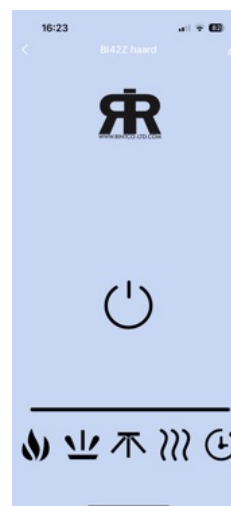
Dimensions	: 188,0x16,0x42,8cm (LxDxH)
Recessed dim.	: 185,1x17,0x41,0cm (LxDxH)
Consumption	: 20W
Voltage	: 220 – 240V, 50Hz
Heating	: 2 heat settings 750 and 1.500W
Flame- and fuel bed colours	: 13 colours
Top light	: 3 colours (orange, blue, purple)
Flame panel	: No mirror used for a more realistic flame image
Lighting	: LED-technology
Control	: On fireplace with touch panel and remote control (included) App and Voice-control (Alexa & Google)
Timer	: 1 – 9 hours
Maintenance	: Maintenance free
Glass	: Equipped with tempered glass
Material	: Housing made of steel
Decoration	: Acrylic stones and wood logs
Audio	: With wood burning sound effect
Safety	: Equipped with thermal protection to prevent overheating
Approval	: CE
Net weight	: 31,6kg
Packing	: 198x25x59cm (LxDxH)
Gross weight	: 42,7kg

Product features RC02-BI88Z :

Dimensions	: 223,5x16,0x42,8cm (LxDxH)
Recessed dim.	: 220,6x17,0x41,0cm (LxDxH)
Consumption	: 20W
Voltage	: 220 – 240V, 50Hz
Heating	: 2 heat settings 750 and 1.500W
Flame- and fuel bed colours	: 13 colours
Top light	: 3 colours (orange, blue, purple)
Flame panel	: No mirror used for a more realistic flame image
Lighting	: LED-technology
Control	: On fireplace with touch panel and remote control (included) App and Voice-control (Alexa & Google)
Timer	: 1 – 9 hours
Maintenance	: Maintenance free
Glass	: Equipped with tempered glass
Material	: Housing made of steel
Decoration	: Acrylic stones and wood logs
Audio	: With wood burning sound effect
Safety	: Equipped with thermal protection to prevent overheating
Approval	: CE
Net weight	: 35,4kg
Packing	: 234x25x59cm (LxDxH)
Gross weight	: 47,2kg

Product features RC02-BI100Z :

Dimensions	: 254,0x16,0x42,8cm (LxDxH)
Recessed dim.	: 251,1x17,0x41,0cm (LxDxH)
Consumption	: 20W
Voltage	: 220 – 240V, 50Hz
Heating	: 2 heat settings 750 and 1.500W
Flame- and fuel bed colours	: 13 colours
Top light	: 3 colours (orange, blue, purple)
Flame panel	: No mirror used for a more realistic flame image
Lighting	: LED-technology
Control	: On fireplace with touch panel and remote control (included) App and Voice-control (Alexa & Google)
Timer	: 1 – 9 hours
Maintenance	: Maintenance free
Glass	: Equipped with tempered glass
Material	: Housing made of steel
Decoration	: Acrylic stones and wood logs
Audio	: With wood burning sound effect
Safety	: Equipped with thermal protection to prevent overheating
Approval	: CE
Net weight	: 40,5kg
Packing	: 264x25x59 (LxDxH)
Gross weight	: 50,1kg

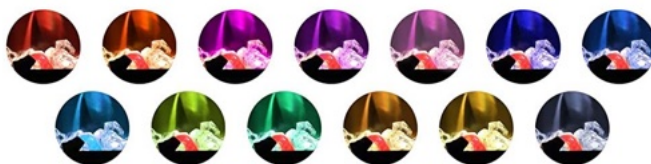


**App-control (iOS & Android)
Voice-control (Alexa and Google)**

BIZ-SERIES



App-control (iOS & Android)
Voice-control (Alexa and Google)



**13 colours for
flame- and fuel bed**

FEATURE EFT-SERIES

Product features RC02-EF23T :

Dimensions	: 64,4x22,5x53,5cm (LxDxH)
Recessed dim.	: 56,7x21,0x50,8cm (LxDxH)
Consumption	: 20W
Voltage	: 220 – 240V, 50Hz
Heating	: 2 heat settings 750 and 1.500W
Flame colour	: Orange
Top light	: 3 colours (orange, blue, purple)
Flame panel	: No mirror used for a more realistic flame image
Lighting	: LED-technology
Control	: On fireplace with touch panel and remote control (included)
Timer	: 1 – 9 hours
Maintenance	: Maintenance free
Material	: Housing made of steel
Decoration	: Log set
Audio	: With wood burning sound effect
Safety	: Equipped with thermal protection to prevent overheating
Approval	: CE
Net weight	: 13,6kg
Packing	: 73x31x62cm (LxDxH)
Gross weight	: 16,3kg

Product features RC02-EF33T :

Dimensions	: 90,5x23,0x69,8cm (LxDxH)
Recessed dim.	: 82,8x21,0x67,5cm (LxDxH)
Consumption	: 20W
Voltage	: 220 – 240V, 50Hz
Heating	: 2 heat settings 750 and 1.500W
Flame colour	: Orange
Top light	: 3 colours (orange, blue, purple)
Flame panel	: No mirror used for a more realistic flame image
Lighting	: LED-technology
Control	: On fireplace with touch panel and remote control (included)
Timer	: 1 – 9 hours
Maintenance	: Maintenance free
Material	: Housing made of steel
Decoration	: Log set
Audio	: With wood burning sound effect
Safety	: Equipped with thermal protection to prevent overheating
Approval	: CE
Net weight	: 20,7kg
Packing	: 99x31x78cm (LxDxH)
Gross weight	: 25,2kg

Fire Cracking Log Speaker



Touch Control Panel



3 Color Top Light



Orange



Purple



Blue

EFT-SERIES



RC02-EF33T

FEATURES TS-SERIES

Product features RC02-TS36 :

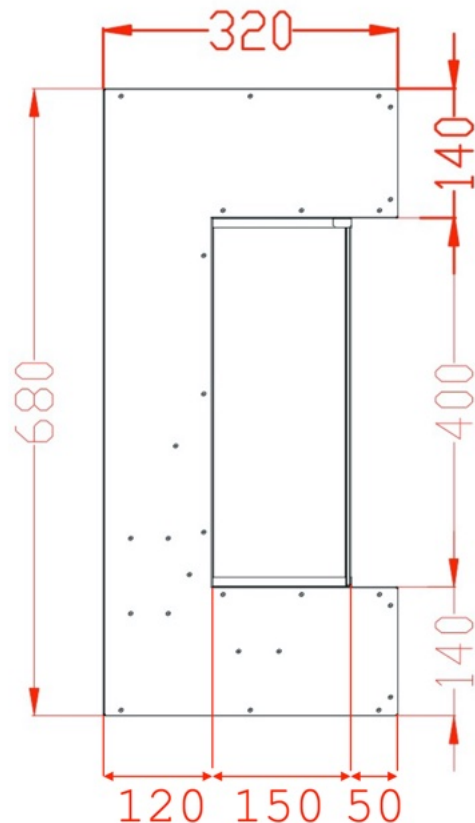
Dimensions	: 101,4x32,0x68,0cm (LxDxH)
Recessed dim.	: 101,4x32,0x68,0cm (LxDxH)
Consumption	: 20W
Voltage	: 220 – 240V, 50Hz
Heating	: 2 heat settings 750 and 1.500W
Flame colour	: 3 colours (orange, blue, purple)
Top light	: 3 colours (orange, blue, purple)
Flame panel	: No mirror used for a more realistic flame image
Lighting	: LED-technology
Control	: On fireplace with touch panel and remote control (included)
Timer	: 1 – 9 hours
Maintenance	: Maintenance free
Glass	: Equipped with tempered glass
Material	: Housing made of steel
Decoration	: Log set
Safety	: Equipped with thermal protection to prevent overheating
Approval	: CE
Net weight	: 28,9kg
Packing	: 112x42x78cm (LxDxH)
Gross weight	: 41,3kg

Product features RC02-TS50 :

Dimensions	: 137,0x32,0x68,0cm (LxDxH)
Recessed dim.	: 137,0x32,0x68,0cm (LxDxH)
Consumption	: 20W
Voltage	: 220 – 240V, 50Hz
Heating	: 2 heat settings 750 and 1.500W
Flame colour	: 3 colours (orange, blue, purple)
Top light	: 3 colours (orange, blue, purple)
Flame panel	: No mirror used for a more realistic flame image
Lighting	: LED-technology
Control	: On fireplace with touch panel and remote control (included)
Timer	: 1 – 9 hours
Maintenance	: Maintenance free
Glass	: Equipped with tempered glass
Material	: Housing made of steel
Decoration	: Log set
Safety	: Equipped with thermal protection to prevent overheating
Approval	: CE
Net weight	: 34,7kg
Packing	: 148x42x78cm (LxDxH)
Gross weight	: 48,3kg

Product features RC02-TS60 :

Dimensions	: 162,0x32,0x68,0cm (LxDxH)
Recessed dim.	: 162,0x32,0x68,0cm (LxDxH)
Consumption	: 20W
Voltage	: 220 – 240V, 50Hz
Heating	: 2 heat settings 750 and 1.500W
Flame colour	: 3 colours (orange, blue, purple)
Top light	: 3 colours (orange, blue, purple)
Flame panel	: No mirror used for a more realistic flame image
Lighting	: LED-technology
Control	: On fireplace with touch panel and remote control (included)
Timer	: 1 – 9 hours
Maintenance	: Maintenance free
Glass	: Equipped with tempered glass
Material	: Housing made of steel
Decoration	: Log set
Safety	: Equipped with thermal protection to prevent overheating
Approval	: CE
Net weight	: 44,2kg
Packing	: 173x42x78cm (LxDxH)
Gross weight	: 55,6kg



Side view with dimensions (mm)

TS-SERIES



FIREPLACE RC02-TS60

FEATURES TSZ-SERIES (1)

Product features RC02-TS36Z :

Dimensions	: 91,5x25,3x68,0cm (LxDxH)
Recessed dim.	: 91,5x25,3x68,0cm (LxDxH)
Consumption	: 20W
Voltage	: 220 – 240V, 50Hz
Heating	: 2 heat settings 750 and 1.500W
Flame- and fuel bed colours	: 13 colours
Top light	: 3 colours (orange, blue, purple)
Flame panel	: No mirror used for a more realistic flame image
Lighting	: LED-technology
Control	: On fireplace with touch panel and remote control (included) App and Voice-control (Alexa & Google)
Timer	: 1 – 9 hours
Maintenance	: Maintenance free
Glass	: Equipped with tempered glass
Material	: Housing made of steel
Decoration	: Acrylic stones and wood logs
Audio	: With wood burning sound effect
Safety	: Equipped with thermal protection to prevent overheating
Approval	: CE
Net weight	: 22,4kg
Packing	: 102x34x79cm (LxDxH)
Gross weight	: 29,2kg

Product features RC02-TS42Z :

Dimensions	: 106,7x25,3x68,0cm (LxDxH)
Recessed dim.	: 106,7x25,3x68,0cm (LxDxH)
Consumption	: 20W
Voltage	: 220 – 240V, 50Hz
Heating	: 2 heat settings 750 and 1.500W
Flame- and fuel bed colours	: 13 colours
Top light	: 3 colours (orange, blue, purple)
Flame panel	: No mirror used for a more realistic flame image
Lighting	: LED-technology
Control	: On fireplace with touch panel and remote control (included) App and Voice-control (Alexa & Google)
Timer	: 1 – 9 hours
Maintenance	: Maintenance free
Glass	: Equipped with tempered glass
Material	: Housing made of steel
Decoration	: Acrylic stones and wood logs
Audio	: With wood burning sound effect
Safety	: Equipped with thermal protection to prevent overheating
Approval	: CE
Net weight	: 24,5kg
Packing	: 117x34x79cm (LxDxH)
Gross weight	: 32,5kg

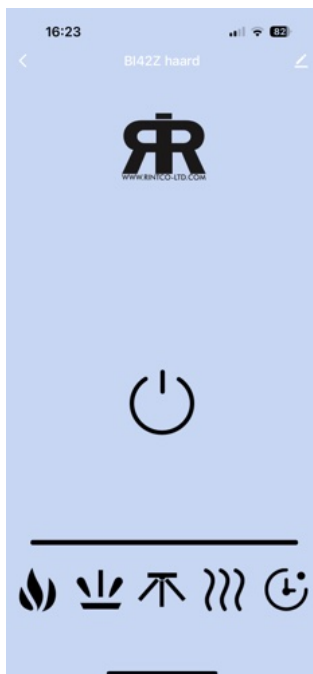
Product features RC02-TS50Z :

Dimensions	: 127,0x25,3x68,0cm (LxDxH)
Recessed dim.	: 127,0x25,3x68,0cm (LxDxH)
Consumption	: 20W
Voltage	: 220 – 240V, 50Hz
Heating	: 2 heat settings 750 and 1.500W
Flame- and fuel bed colours	: 13 colours
Top light	: 3 colours (orange, blue, purple)
Flame panel	: No mirror used for a more realistic flame image
Lighting	: LED-technology
Control	: On fireplace with touch panel and remote control (included) App and Voice-control (Alexa & Google)
Timer	: 1 – 9 hours
Maintenance	: Maintenance free
Glass	: Equipped with tempered glass
Material	: Housing made of steel
Decoration	: Acrylic stones and wood logs
Audio	: With wood burning sound effect
Safety	: Equipped with thermal protection to prevent overheating
Approval	: CE
Net weight	: 29,1kg
Packing	: 138x34x79cm (LxDxH)
Gross weight	: 36,9kg

Product features RC02-TS60Z :

Dimensions	: 152,4x25,3x68,0cm (LxDxH)
Recessed dim.	: 152,4x25,3x68,0cm (LxDxH)
Consumption	: 20W
Voltage	: 220 – 240V, 50Hz
Heating	: 2 heat settings 750 and 1.500W
Flame- and fuel bed colours	: 13 colours
Top light	: 3 colours (orange, blue, purple)
Flame panel	: No mirror used for a more realistic flame image
Lighting	: LED-technology
Control	: On fireplace with touch panel and remote control (included) App and Voice-control (Alexa & Google)
Timer	: 1 – 9 hours
Maintenance	: Maintenance free
Glass	: Equipped with tempered glass
Material	: Housing made of steel
Decoration	: Acrylic stones and wood logs
Audio	: With wood burning sound effect
Safety	: Equipped with thermal protection to prevent overheating
Approval	: CE
Net weight	: 37,5kg
Packing	: 163x34x79cm (LxDxH)
Gross weight	: 44,5kg

TSZ-SERIES



App-control (iOS & Android)
Voice-control (Alexa and Google)

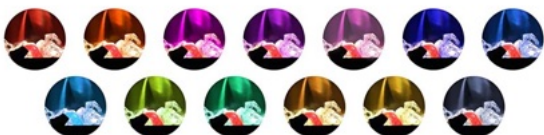
FEATURES TSZ-SERIES (2)

Product features RC02-TS72Z :

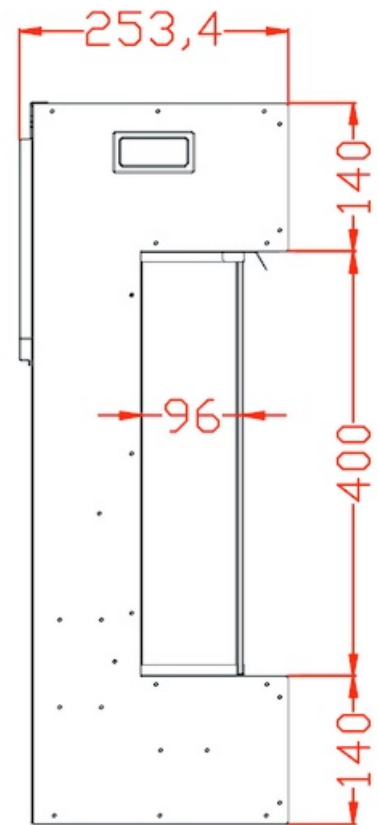
Dimensions : 182,9x25,3x68,0cm (LxDxH)
 Recessed dim. : 182,9x25,3x68,0cm (LxDxH)
 Consumption : 20W
 Voltage : 220 – 240V, 50Hz
 Heating : 2 heat settings 750 and 1.500W
 Flame- and fuel bed colours : 13 colours
 Top light : 3 colours (orange, blue, purple)
 Flame panel : No mirror used for a more realistic flame image
 Lighting : LED-technology
 Control : On fireplace with touch panel and remote control (included)
 App and Voice-control (Alexa & Google)
 Timer : 1 – 9 hours
 Maintenance : Maintenance free
 Glass : Equipped with tempered glass
 Material : Housing made of steel
 Decoration : Acrylic stones and wood logs
 Audio : With wood burning sound effect
 Safety : Equipped with thermal protection to prevent overheating
 Approval : CE
 Net weight : 40,5kg
 Packing : 193x34x79cm (LxDxH)
 Gross weight : 47,0kg

Product features RC02-TS95Z :

Dimensions : 241,3x25,3x68,0cm (LxDxH)
 Recessed dim. : 241,3x25,3x68,0cm (LxDxH)
 Consumption : 20W
 Voltage : 220 – 240V, 50Hz
 Heating : 2 heat settings 750 and 1.500W
 Flame- and fuel bed colours : 13 colours
 Top light : 3 colours (orange, blue, purple)
 Flame panel : No mirror used for a more realistic flame image
 Lighting : LED-technology
 Control : On fireplace with touch panel and remote control (included)
 App and Voice-control (Alexa & Google)
 Timer : 1 – 9 hours
 Maintenance : Maintenance free
 Glass : Equipped with tempered glass
 Material : Housing made of steel
 Decoration : Acrylic stones and wood logs
 Audio : With wood burning sound effect
 Safety : Equipped with thermal protection to prevent overheating
 Approval : CE
 Net weight : 45,5kg
 Packing : 252x34x79cm (LxDxH)
 Gross weight : 47,0kg

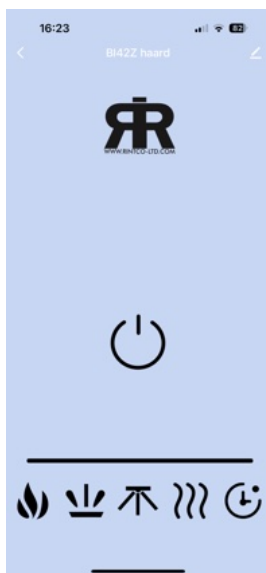


13 colours for flame- and fuel bed



Side view with dimensions (mm)

TSZ-SERIES



App-control (iOS & Android)
Voice-control (Alexa and Google)

FEATURES EFV-SERIES (1)

Product features RC02-EFV40 :

Dimensions	: 101,6x16,9x45,0cm (LxDxH)
Recessed dim.	: 101,0x18,0x43,8cm (LxDxH)
Consumption	: 100W
Voltage	: 220 – 240V, 50Hz
Heating	: 2 heat settings 750 and 1.500W
Flame effect	: 3 Unique realistic flame colours
Top light	: 7 colours
Flame panel	: GT-Xview video & HD-LCD technology
Control	: On fireplace with touch panel and remote control (included) App and Voice-control (Alexa & Google)
Timer	: 1 – 8 hours
Maintenance	: Maintenance free
Glass	: Equipped with tempered glass
Material	: Housing made of steel
Decoration	: Log set
Audio	: With wood burning sound effect
Safety	: Equipped with thermal protection to prevent overheating
Approval	: CE
Net weight	: 28,0kg
Packing	: 110x26x54cm (LxDxH)
Gross weight	: 34,8kg

Product features RC02-EFV59 :

Dimensions	: 150,0x16,9x45,0cm (LxDxH)
Recessed dim.	: 149,0x18,0x43,8cm (LxDxH)
Consumption	: 100W
Voltage	: 220 – 240V, 50Hz
Heating	: 2 heat settings 750 and 1.500W
Flame effect	: 3 Unique realistic flame colours
Top light	: 7 colours
Flame panel	: GT-Xview video & HD-LCD technology
Control	: On fireplace with touch panel and remote control (included) App and Voice-control (Alexa & Google)
Timer	: 1 – 8 hours
Maintenance	: Maintenance free
Glass	: Equipped with tempered glass
Material	: Housing made of steel
Decoration	: Log set
Audio	: With wood burning sound effect
Safety	: Equipped with thermal protection to prevent overheating
Approval	: CE
Net weight	: 41,5kg
Packing	: 159x26x54cm (LxDxH)
Gross weight	: 51,5kg

Product features RC02-EFV50 :

Dimensions	: 127,0x16,9x45,0cm (LxDxH)
Recessed dim.	: 126,4x18,0x43,8cm (LxDxH)
Consumption	: 100W
Voltage	: 220 – 240V, 50Hz
Heating	: 2 heat settings 750 and 1.500W
Flame effect	: 3 Unique realistic flame colours
Top light	: 7 colours
Flame panel	: GT-Xview video & HD-LCD technology
Control	: On fireplace with touch panel and remote control (included) App and Voice-control (Alexa & Google)
Timer	: 1 – 8 hours
Maintenance	: Maintenance free
Glass	: Equipped with tempered glass
Material	: Housing made of steel
Decoration	: Log set
Audio	: With wood burning sound effect
Safety	: Equipped with thermal protection to prevent overheating
Approval	: CE
Net weight	: 35,0kg
Packing	: 136x26x54cm (LxDxH)
Gross weight	: 43,5kg

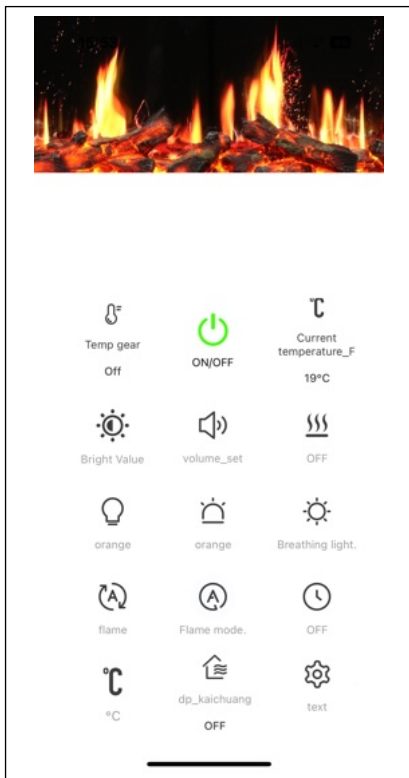
Product features RC02-EFV79 :

Dimensions	: 200,0x16,9x45,0 (LxDxH)
Recessed dim.	: 199,0x18,0x43,8cm (LxDxH)
Consumption	: 150W
Voltage	: 220 – 240V, 50Hz
Heating	: 2 heat settings 750 and 1.500W
Flame effect	: 3 Unique realistic flame colours
Top light	: 7 colours
Flame panel	: GT-Xview video & HD-LCD technology
Control	: On fireplace with touch panel and remote control (included) App and Voice-control (Alexa & Google)
Timer	: 1 – 8 hours
Maintenance	: Maintenance free
Glass	: Equipped with tempered glass
Material	: Housing made of steel
Decoration	: Log set
Audio	: With wood burning sound effect
Safety	: Equipped with thermal protection to prevent overheating
Approval	: CE
Net weight	: 55,2kg
Packing	: 209x26x54cm (LxDxH)
Gross weight	: 68,6kg

EFV-SERIES



FIREPLACE RC02-EFV40



**App-control (iOS & Android)
Voice-control (Alexa and Google)**

FEATURES EFV-SERIES (2)

Product features RC02-EFV26H :

Dimensions	: 66,0x19,5x60,0cm (LxDxH)
Recessed dim.	: 62,0x21,0x58,0cm (LxDxH)
Consumption	: 50W
Voltage	: 220 – 240V, 50Hz
Heating	: 2 heat settings 750 and 1.500W
Flame effect	: 3 Unique realistic flame colours
Top light	: 7 colours
Flame panel	: GT-Xview video & HD-LCD technology
Control	: On fireplace with touch panel and remote control (included) App and Voice-control (Alexa & Google)
Timer	: 1 – 8 hours
Maintenance	: Maintenance free
Glass	: Equipped with tempered glass
Material	: Housing made of steel
Decoration	: Log set
Audio	: With wood burning sound effect
Safety	: Equipped with thermal protection to prevent overheating
Approval	: CE
Net weight	: 28,0kg
Packing	: 75x28x69cm (LxDxH)
Gross weight	: 34,8kg



FEATURES EFV-BESPOKE INSERT

Product features RC02-EFVBESPOKE :

Dimensions	: 168,0x26,0x39,0cm (LxDxH)	Dimensions	: 264,0x26,0x39,0cm (LxDxH)
Recessed dim.	: 166,4x24,4x38,0cm (LxDxH)	Recessed dim.	: 262,4x24,4x38,0cm (LxDxH)
Net weight	: 42,0kg	Net weight	: 66,0kg
Packing	: 176x34x47cm (LxDxH)	Packing	: 272x34x47cm (LxDxH)
Gross weight	: 56,6kg	Gross weight	: 88,4kg
Dimensions	: 200,0x26,0x39,0cm (LxDxH)	Dimensions	: 300,0x26,0x39,0cm (LxDxH)
Recessed dim.	: 198,4,4x24,4x38,0cm (LxDxH)	Recessed dim.	: 298,4x24,4x38,0cm (LxDxH)
Net weight	: 50,0kg	Net weight	: 75,0kg
Packing	: 208x34x47cm (LxDxH)	Packing	: 308x34x47cm (LxDxH)
Gross weight	: 67,6kg	Gross weight	: 100,5kg
Dimensions	: 232,0x26,0x39,0cm (LxDxH)	Dimensions	: 360,0x26,0x39,0cm (LxDxH)
Recessed dim.	: 230,4x24,4x38,0cm (LxDxH)	Recessed dim.	: 358,4x24,4x38,0cm (LxDxH)
Net weight	: 58,0kg	Net weight	: 90,0kg
Packing	: 240x34x47cm (LxDxH)	Packing	: 368x34x47cm (LxDxH)
Gross weight	: 77,7kg	Gross weight	: 120,6kg

General product features RC02-EFVBESPOKE :

Consumption	: 50W (168/200cm), 100W (232/264cm), : 150W (300/360cm)	Control	: App control
Voltage	: 220 – 240V, 50Hz	Maintenance	: Maintenance free
Heating	: No heating	Glass	: Equipped with tempered glass
Flame effect	: 2 Unique realistic flame colours	Material	: Housing made of steel
Aquarium effect	: 2 Unique aquarium effects	Audio	: With wood burning sound effect
Flame panel	: GT-Xview video & HD LED technology	Safety	: Equipped with thermal protection to prevent overheating
Timer	: 1-8 hours		

EFV-BESPOKE INSERT



FEATURES EFV-FREE STANDING

Product features RC02-EFV-FS01 :

Dimensions	: 56,6x38,0x99,5cm (LxDxH)
Recessed dim.	: N.A.
Consumption	: 32W
Voltage	: 220 – 240V, 50Hz
Heating	: 2 heat settings 750 and 1.500W
Flame effect	: 3 Unique realistic flame colours
Flame panel	: GT-Xview video & HD-LCD technology
Control	: On fireplace with touch panel and remote control (included) App-control
Maintenance	: Maintenance free
Glass	: Equipped with tempered glass
Material	: Housing made of steel
Decoration	: Log set
Audio	: With wood burning sound effect
Safety	: Equipped with thermal protection to prevent overheating
Approval	: CE
IP rating	: 33 (splash proof)
Net weight	: 68,0kg
Packing	: 63,6x45x106,5cm (LxDxH)
Gross weight	: 78,0kg

Product features RC02-EFV-FS02 :

Dimensions	: 68,0x38,0x99,5cm (LxDxH)
Recessed dim.	: N.A.
Consumption	: 32W
Voltage	: 220 – 240V, 50Hz
Heating	: 2 heat settings 750 and 1.500W
Flame effect	: 3 Unique realistic flame colours
Flame panel	: GT-Xview video & HD-LCD technology
Control	: On fireplace with touch panel and remote control (included) App-control
Maintenance	: Maintenance free
Glass	: Equipped with tempered glass
Material	: Housing made of steel
Decoration	: Log set
Audio	: With wood burning sound effect
Safety	: Equipped with thermal protection to prevent overheating
Approval	: CE
IP rating	: 33 (splash proof)
Net weight	: 75,0kg
Packing	: 75,0x45x106,5cm (LxDxH)
Gross weight	: 85,0kg



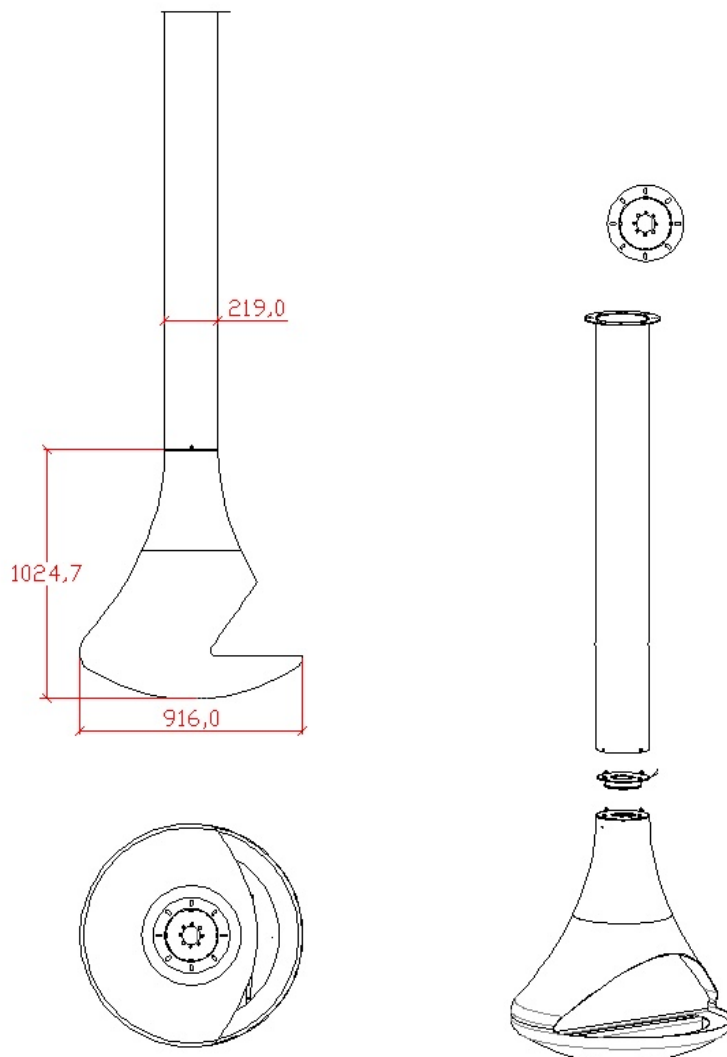
EFV-FREE STANDING



FEATURES EFV-SPECIALS

Product features RC02-EFV-H01 :

Dimensions	: 91,6x91,6x222,5/282,5cm (LxDxH)
Tube-length	: 120 or 180cm, on dimension drawing below with tube-length of 180cm
Attach	: Ceiling mounting plate
Recessed dim.	: N.A.
Consumption	: 21W
Voltage	: 220 – 240V, 50Hz
Heating	: 2 heat settings 750 and 1.500W
Flame effect	: 2 Unique realistic flame colours
Flame panel	: GT-Xview video & HD-LCD technology
Control	: On fireplace with touch panel and remote control (included) App-control
Maintenance	: Maintenance free
Material	: Housing made of steel
Decoration	: Log set
Audio	: With wood burning sound effect
Safety	: Equipped with thermal protection to prevent overheating
Approval	: CE
Net weight	: 63,0kg
Packing	: 2 packages (1x fireplace and 1x tube)
Gross weight	: 80kg



EFV-SPECIALS



FIREPLACE RC02-EFV-H01

FEATURES WD-SERIES

Product features RC02-1101 :

Dimensions	: 66,8x23,9x17,0cm (LxDxH)
Recessed dim.	: 63,0x21,5x16,6cm (LxDxH)
Consumption	: 210W
Voltage	: 220 – 240V, 50Hz
Heating	: None
Flame effect	: 6x halogen lamp amber 35W
Flame height	: Adjustable
Control	: On fireplace with touch panel and remote control (included)
Water reservoir	: 1x 1,6L
Maintenance	: Clean the transducer regularly
Material	: Housing made of steel
Safety	: Equipped with thermal protection to prevent overheating
Audio	: With wood burning sound effect
Approval	: CE
Net weight	: 8,7kg
Packing	: 75x30x30cm (LxDxH)
Gross weight	: 12,3kg

Product features RC02-1103 :

Dimensions	: 150,0x23,9x17,0cm (LxDxH)
Recessed dim.	: 144,0x21,5x16,6cm (LxDxH)
Consumption	: 630W
Voltage	: 220 – 240V, 50Hz
Heating	: None
Flame effect	: 18x halogen lamp amber 35W
Flame height	: Adjustable
Control	: On fireplace with touch panel and remote control (included)
Water reservoir	: 3x 1,6L
Maintenance	: Clean the transducer regularly
Material	: Housing made of steel
Safety	: Equipped with thermal protection to prevent overheating
Audio	: With wood burning sound effect
Approval	: CE
Net weight	: 19,0kg
Packing	: 158x30x30cm (LxDxH)
Gross weight	: 22,5kg

Product features RC02-1102 :

Dimensions	: 107,4x23,9x17,0cm (LxDxH)
Recessed dim.	: 103,5x21,5x16,6cm (LxDxH)
Consumption	: 420W
Voltage	: 220 – 240V, 50Hz
Heating	: None
Flame effect	: 12x halogen lamp amber 35W
Flame height	: Adjustable
Control	: On fireplace with touch panel and remote control (included)
Water reservoir	: 2x 1,6L
Maintenance	: Clean the transducer regularly
Material	: Housing made of steel
Safety	: Equipped with thermal protection to prevent overheating
Audio	: With wood burning sound effect
Approval	: CE
Net weight	: 14,5kg
Packing	: 115x30x30cm (LxDxH)
Gross weight	: 17,8kg

Product features RC02-1104 :

Dimensions	: 200,0x23,9x17,0cm (LxDxH)
Recessed dim.	: 184,5x21,5x16,6cm (LxDxH)
Consumption	: 840W
Voltage	: 220 – 240V, 50Hz
Heating	: None
Flame effect	: 24x halogen lamp amber 35W
Flame height	: Adjustable
Control	: On fireplace with touch panel and remote control (included)
Water reservoir	: 4x 1,6L
Maintenance	: Clean the transducer regularly
Material	: Housing made of steel
Safety	: Equipped with thermal protection to prevent overheating
Audio	: With wood burning sound effect
Approval	: CE
Net weight	: 24,0kg
Packing	: 208x30x30cm (LxDxH)
Gross weight	: 27,5kg

WD-SERIES

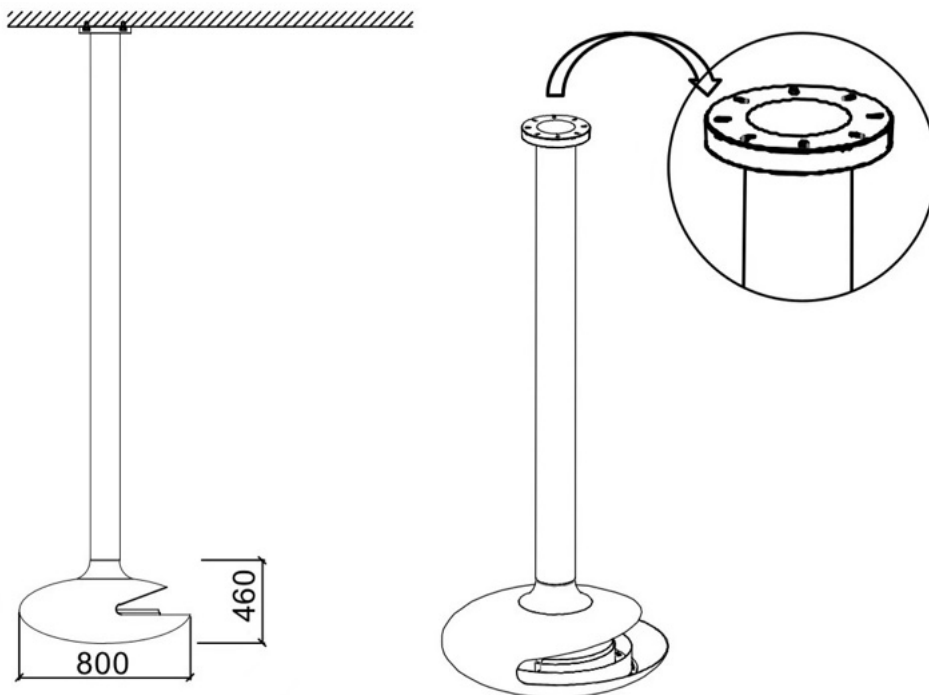


FIREPLACE RC02-1103

FEATURES WD-SPECIALS

Product features RC02-WDSH01 :

Dimensions	: 80,0x80,0x166/226cm (LxDxH)
Tube-length	: 120 or 180cm, on dimension drawing below with tube-length of 180cm
Attach	: Ceiling mounting plate
Consumption	: 210W
Voltage	: 220 – 240V, 50Hz
Heating	: None
Flame effect	: 6x halogen lamp amber 35W
Flame height	: Adjustable
Control	: On fireplace with touch panel and remote control (included), App-control
Water reservoir	: 1x 1,6L
Fill w-reservoir	: By build-in pump
Maintenance	: Clean the transducer regularly
Material	: Housing made of steel Reservoir and reservoir-lid made of stainless steel
Safety	: Equipped with thermal protection to prevent overheating
Approval	: CE
Audio	: With wood burning sound effect
Net weight	: 32,0kg
Packing	: 2 packages (1x fireplace and 1x tube)
Gross weight	: 44,0kg



WD-SPECIALS



FIREPLACE RC02-WDSH01

**FOR THE FINEST AND MOST
BEAUTIFUL ELECTRIC FIREPLACES**



**RINT Company Sales NL B.V.
Praam 7B
1724BE Oudkarspel
The Netherlands**

**T: +31 (0)85 1309 254
E: info@rintco.nl**